



Lecture 4 Applied Geometry Part-II

By Engr. Muhammad Arsalan Khan



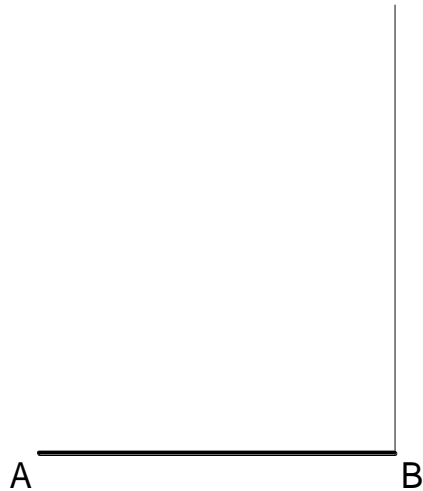
Problem:

To draw a regular polygon, given the length of its side.



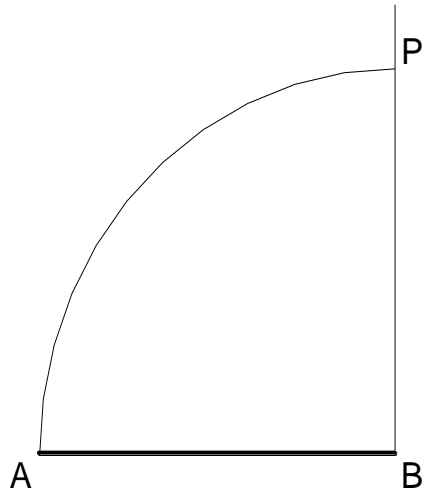
Problem:

To draw a regular polygon, given the length of its side.



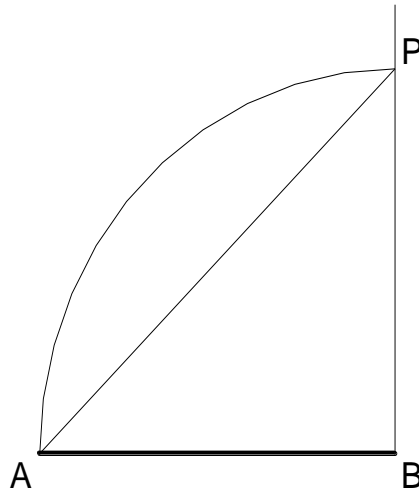
Problem:

To draw a regular polygon, given the length of its side.



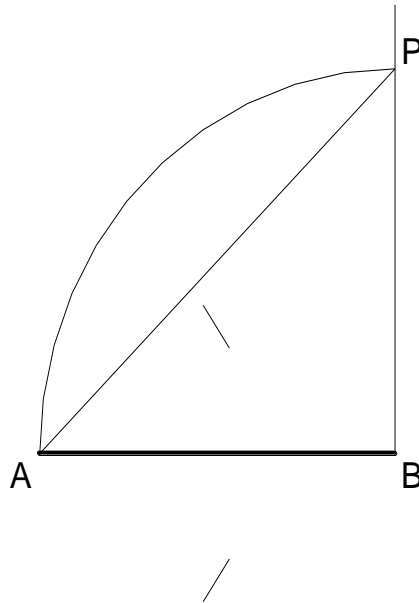
Problem:

To draw a regular polygon, given the length of its side.



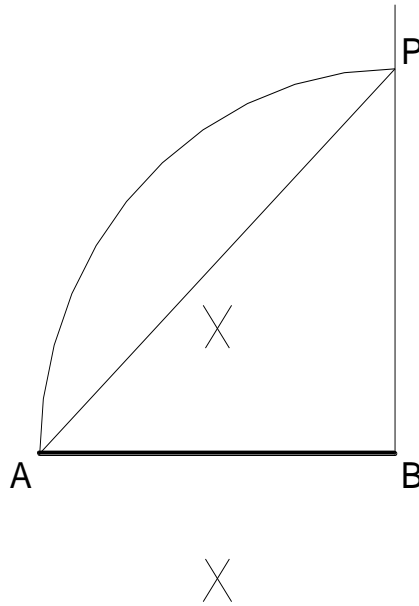
Problem:

To draw a regular polygon, given the length of its side.



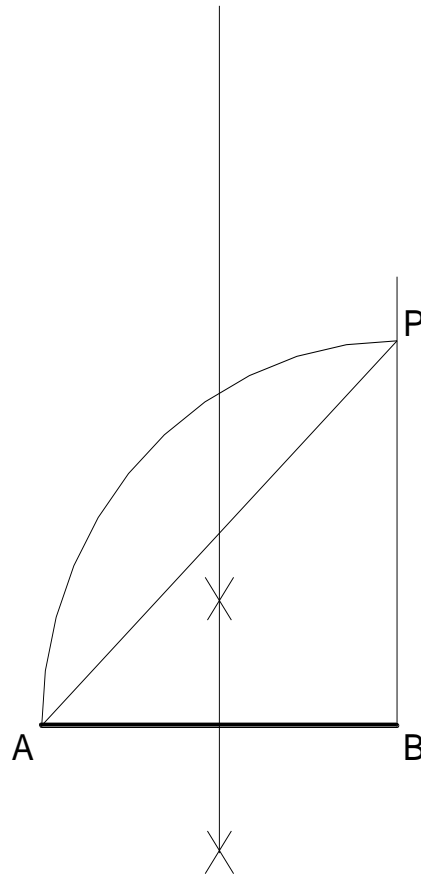
Problem:

To draw a regular polygon, given the length of its side.



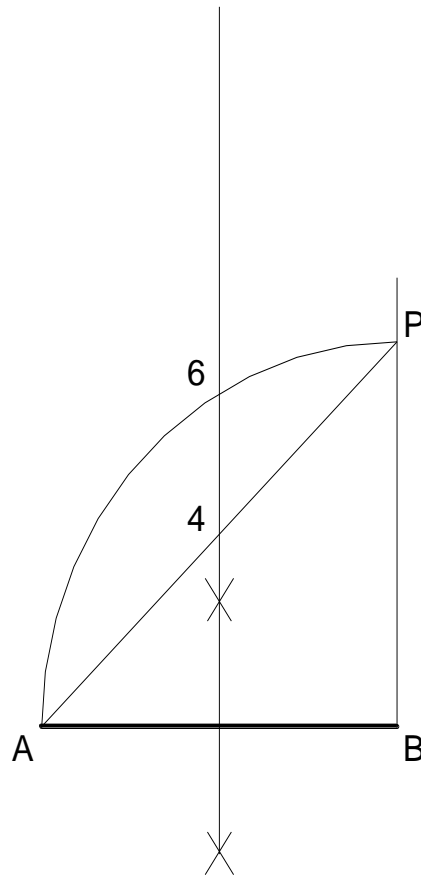
Problem:

To draw a regular polygon, given the length of its side.



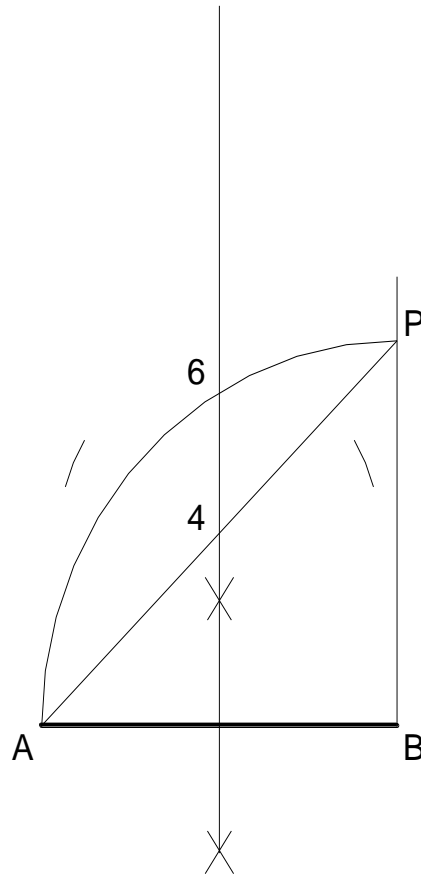
Problem:

To draw a regular polygon, given the length of its side.



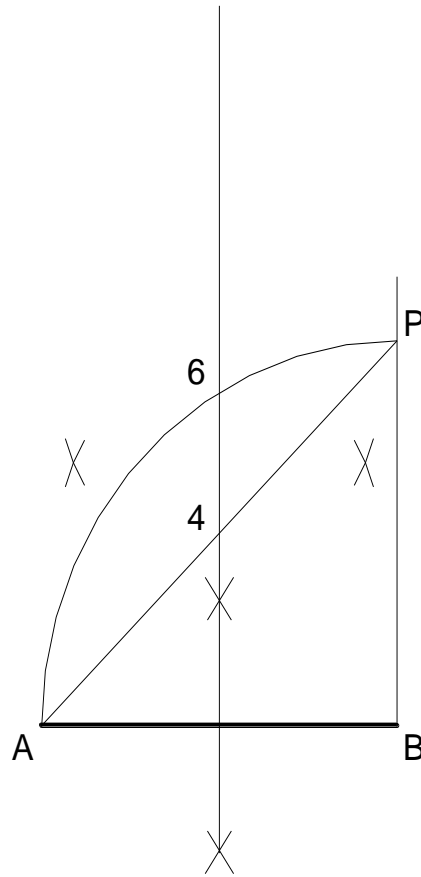
Problem:

To draw a regular polygon, given the length of its side.



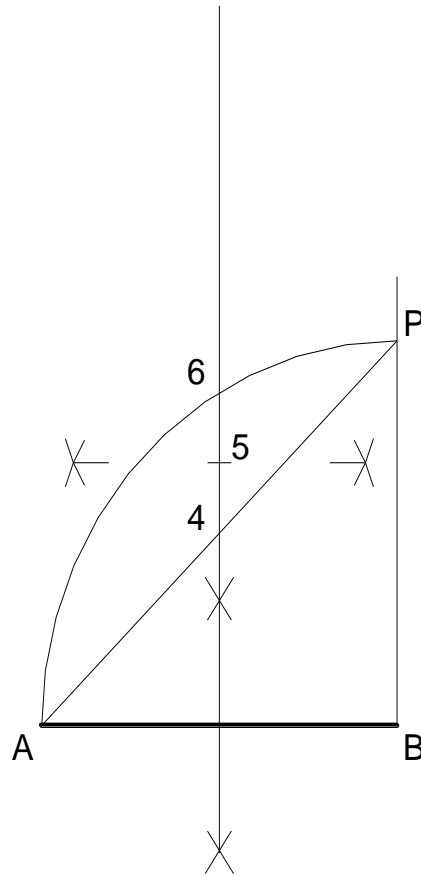
Problem:

To draw a regular polygon, given the length of its side.



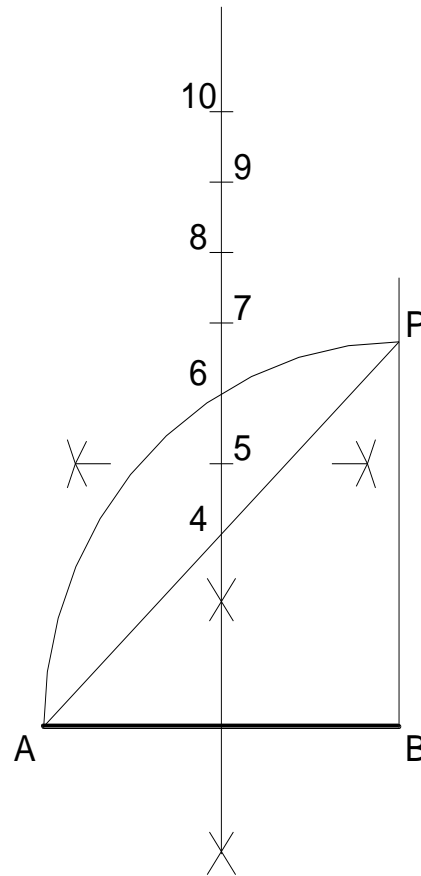
Problem:

To draw a regular polygon, given the length of its side.



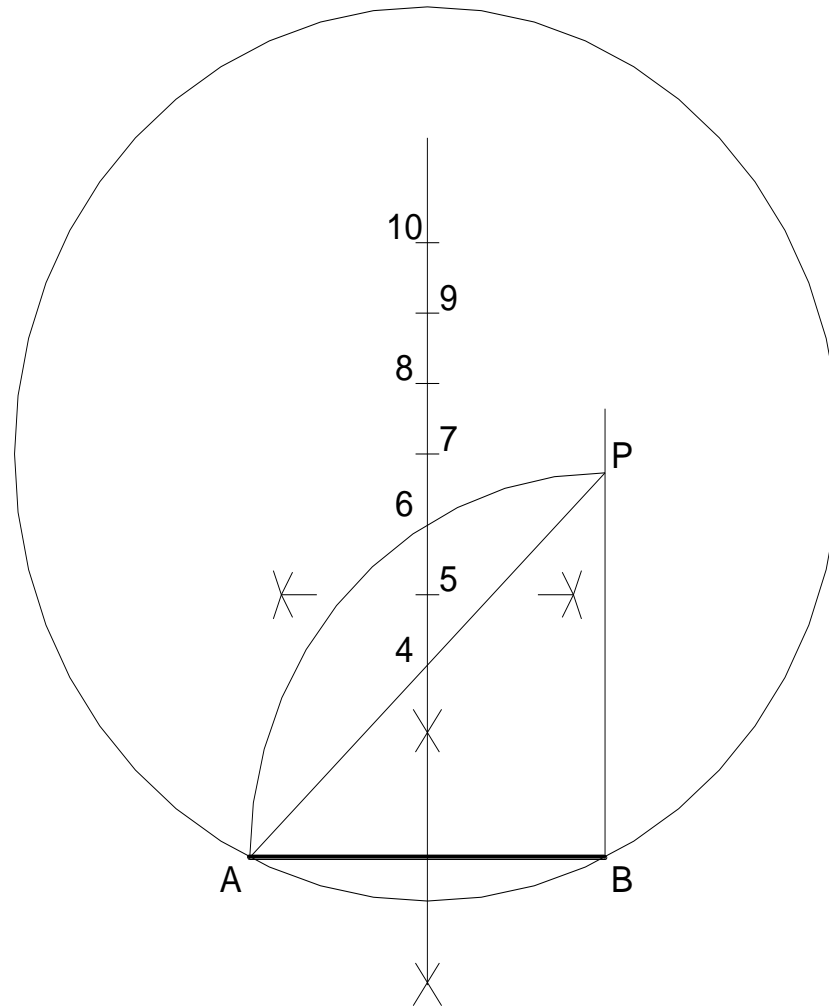
Problem:

To draw a regular polygon, given the length of its side.



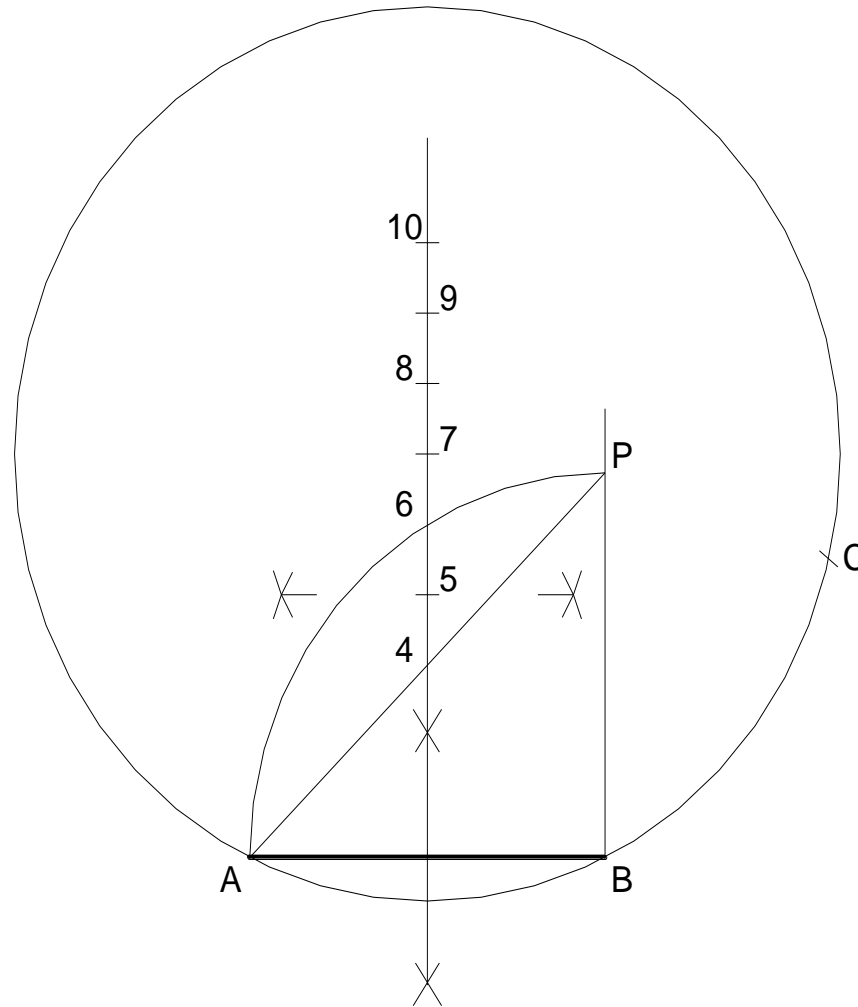
Problem:

To draw a regular polygon, given the length of its side.



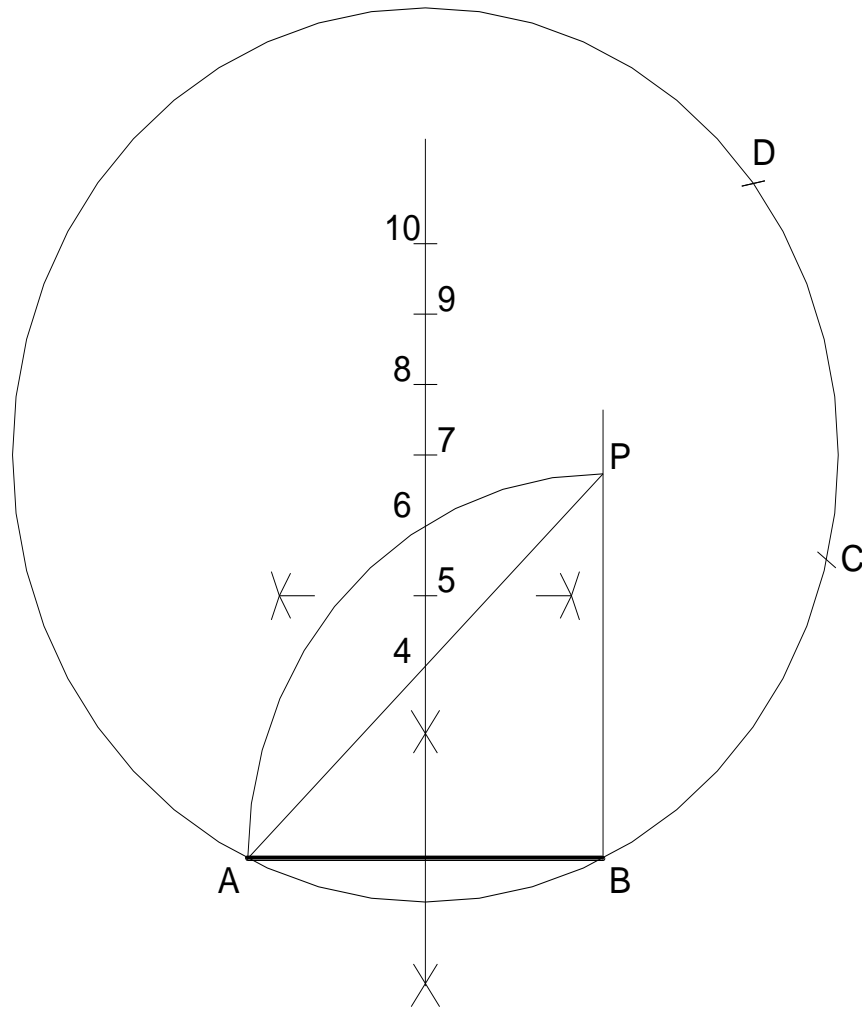
Problem:

To draw a regular polygon, given the length of its side.



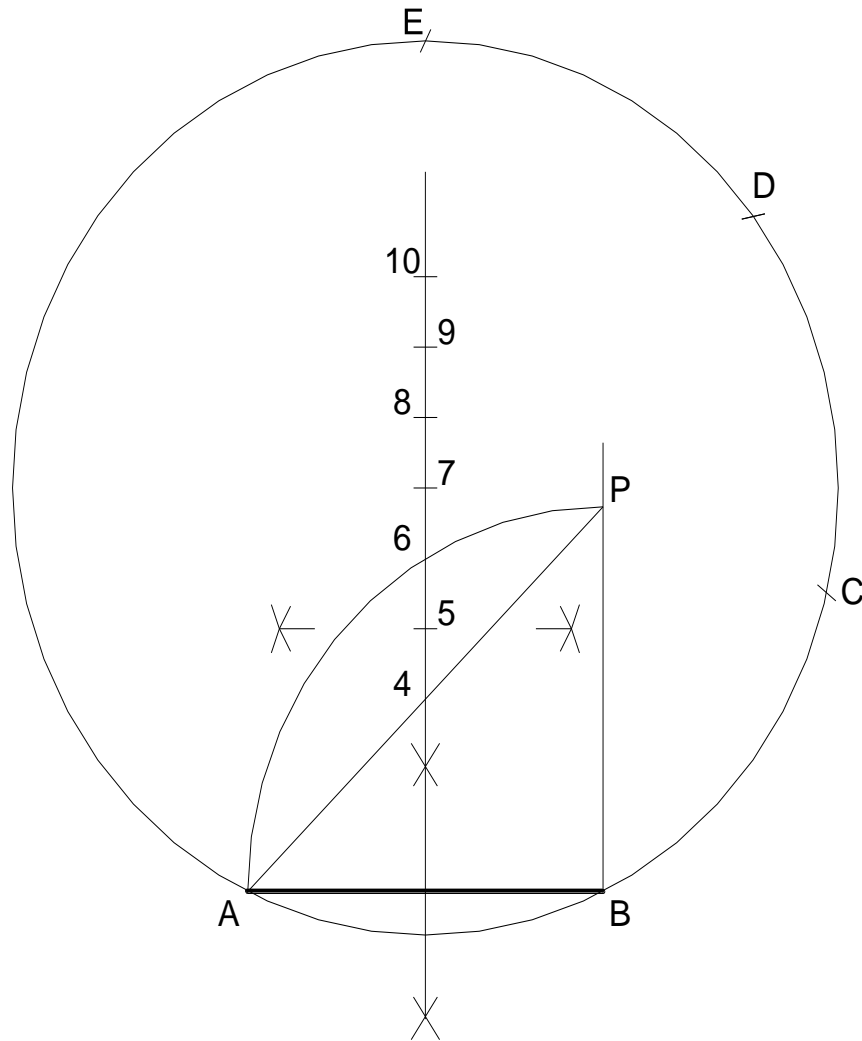
Problem:

To draw a regular polygon, given the length of its side.



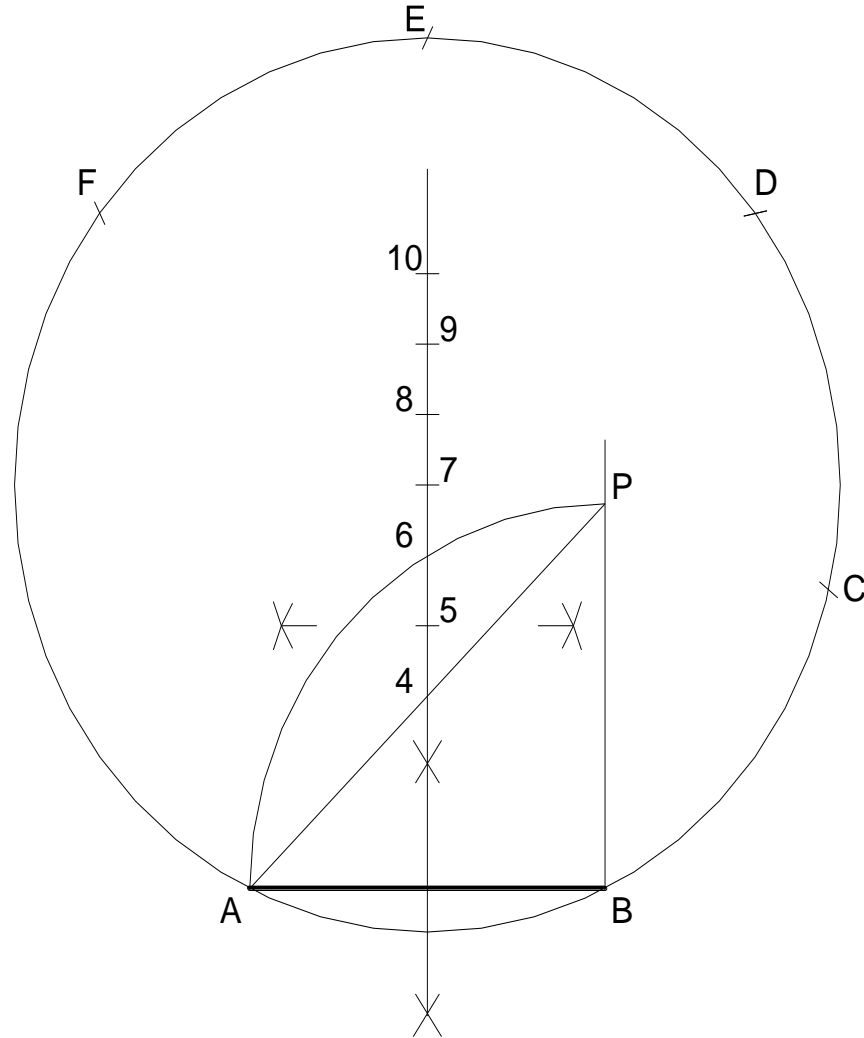
Problem:

To draw a regular polygon, given the length of its side.



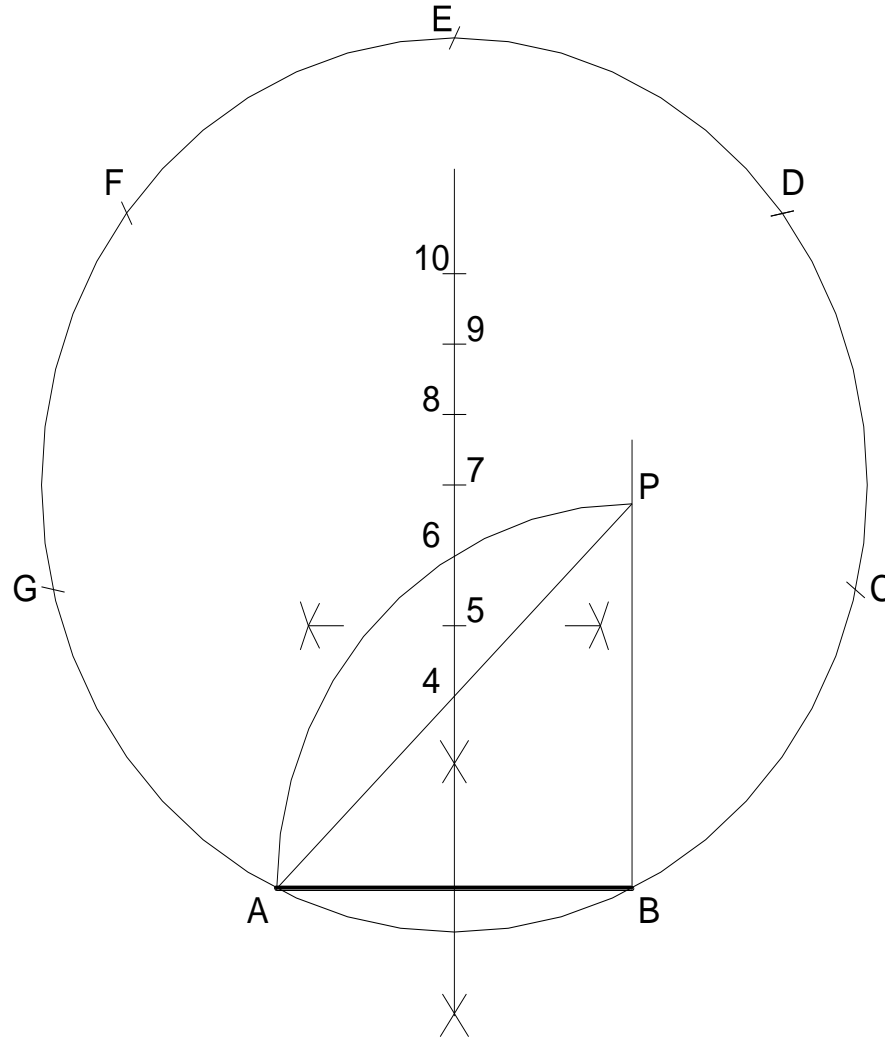
Problem:

To draw a regular polygon, given the length of its side.



Problem:

To draw a regular polygon, given the length of its side.



Problem:

To draw a regular polygon, given the length of its side.

